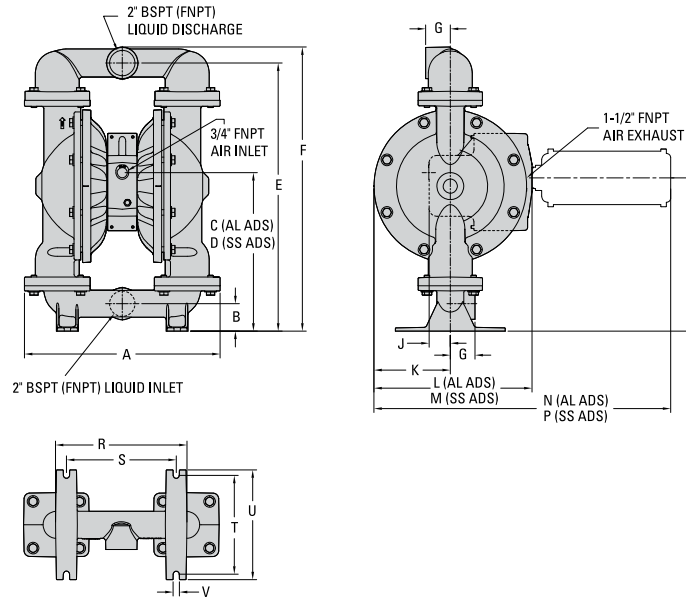


PS820/PS830 STAINLESS STEEL FIT PUMP

51 mm (2") Pump
Maximum Flow Rate:
704 lpm (186 gpm)

DIMENSIONAL DRAWING

PS820 Stainless Steel



DIMENSIONS

ITEM	METRIC (mm)	STANDARD (inch)
A	452	17.8
B	64	2.5
C	367	14.3
D	372	14.7
E	620	24.4
F	658	25.9
G	58	2.3
H	354	14.0
J	48	1.9
K	178	7.0
L	366	14.4
M	353	13.9
N	687	27.0
P	674	26.5
R	305	12.0
S	254	10.0
T	229	9.0
U	254	10.0
V	15	0.6

LW0240 REV. A

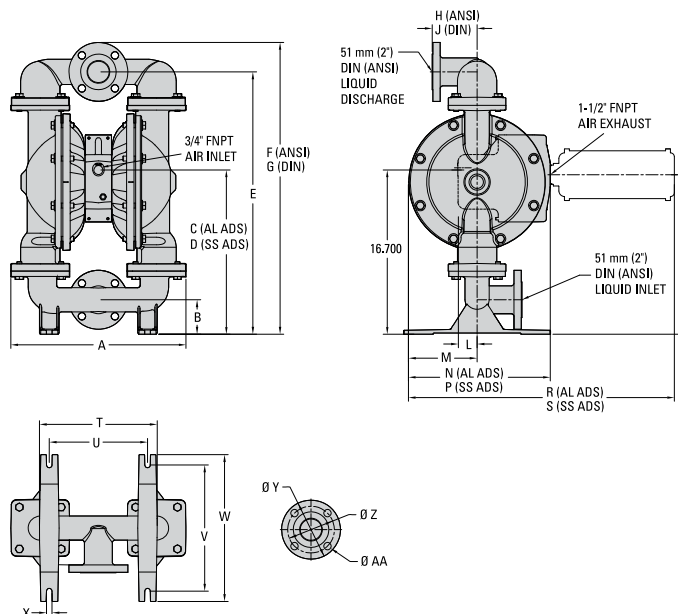
PUMP DATA

Specifications:

- Height..... 820 Threaded 658 mm (25.9")
 830 Flanged 754 mm (29.7")
- Width..... 452 mm (17.8")
- Depth..... Aluminum ADS 366 mm (14.4")
 Stainless Steel ADS 353 mm (13.9")
- Ship Weight..... 820 Threaded 73 kg (161 lb)
 830 Flanged 81 kg (178 lb)
- Air Inlet 3/4"
- Flanged Inlet 51 mm (2")
- Flanged Outlet..... 51 mm (2")
- Threaded Inlet 2"
- Threaded Outlet..... 2"

Sold by:
 G&W Industrial Sales
 915 Emerson Avenue
 Parkersburg, WV 26104
 304-422-4755
 mail@gwindustrial.com

PS830 Stainless Steel



DIMENSIONS

ITEM	METRIC (mm)	STANDARD (inch)
A	452	17.8
B	89	3.5
C	424	16.7
D	429	16.9
E	678	26.7
F	754	29.7
G	760	29.9
H	116	4.6
J	115	4.5
K	412	16.2
L	48	1.9
M	177	7.0
N	366	14.2
P	354	13.9
R	677	27.1
S	675	26.6
T	304	12.0
U	254	10.0
V	325	12.8
W	379	14.9
X	14	0.6
	DIN (mm)	ANSI (Inch)
Y	165 DIA	6.0 DIA
Z	125 DIA	4.8 DIA
AA	18 DIA	0.8 DIA

LW0241 REV. A



22069 Van Buren Street
 Grand Terrace, CA 92313-5607 USA
 O: +1 (909) 422-1730 F: +1 (909) 783-3440
 www.psgdover.com



PS820/PS830 STAINLESS STEEL FIT PUMP

PERFORMANCE

PS820/PS830 STAINLESS STEEL FULL-STROKE PTFE-FITTED

Max. Flow Rate.....678 lpm (179 gpm)
 Max. Inlet Pressure8.6 bar (125 psig)
 Max. Solids Passage..... 6.4 mm (1/4")
 Max. Suction Lift.....6.4 m Dry (21.0')
 8.6 m Wet (28.4')

