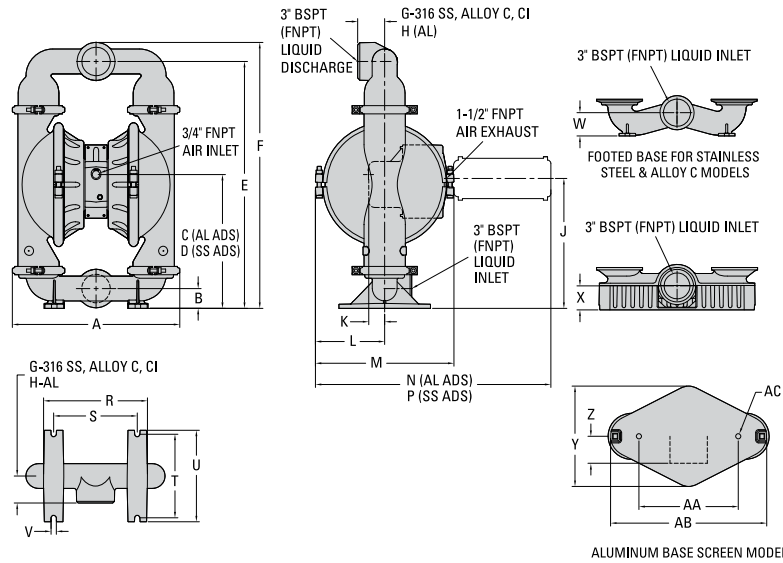


## PS15 ORIGINAL METAL PUMP

**76 mm (3") Pump**  
**Maximum Flow Rate:**  
**927 lpm (245 gpm)**

### DIMENSIONAL DRAWING

#### PS15 Metal



#### DIMENSIONS

ITEM	METRIC (mm)	STANDARD (inch)
A	514	20.2
B	61	2.4
C	411	16.2
D	416	16.4
E	758	29.8
F	816	32.1
G	70	2.8
H	83	3.3
J	399	15.7
K	49	1.9
L	213	8.4
M	425	16.7
N	722	28.4
P	710	28.0
R	319	12.5
S	307	12.1
T	257	10.1
U	281	11.1
V	16	0.6
W	71	2.8
X	74	2.9
Y	308	12.1
Z	83	3.3
AA	305	12.0
AB	480	18.9
AC	16 DIA.	0.6 DIA

LW0254 REV. B

### PUMP DATA

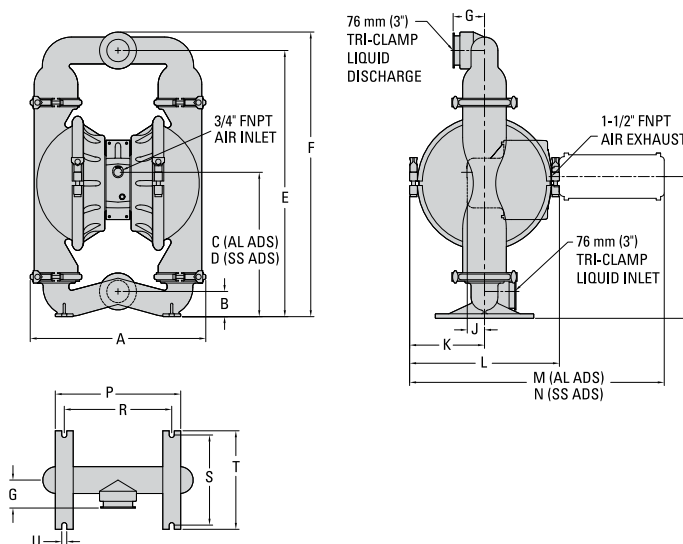
#### Specifications:

Height .....815 mm (32.1")  
 Width .....513 mm (20.2")  
 Depth .....424 mm (16.7")  
 Est. Ship Weight.....  
     Aluminum 55 kg (121 lbs)  
     316 Stainless Steel 105 kg (230 lbs)  
     Cast Iron 93 kg (205 lbs)  
 Air Inlet .....3/4"  
 Liquid Inlet.....3"  
 Liquid Outlet.....3"

#### Sold by:

G&W Industrial Sales  
 915 Emerson Avenue  
 Parkersburg, WV 26104  
 304-422-4755  
 mail@gwindustrial.com

#### PS15 Metal Saniflo™



#### DIMENSIONS

ITEM	METRIC (mm)	STANDARD (inch)
A	521	20.5
B	71	2.8
C	409	16.1
D	414	16.3
E	767	30.2
F	810	31.9
G	89	3.5
H	401	15.8
J	48	1.9
K	216	8.5
L	424	16.7
M	722	28.4
N	709	27.9
P	356	14.0
R	305	12.0
S	257	10.1
T	279	11.0
U	15 DIA.	0.6 DIA.

LW0255 REV. A

