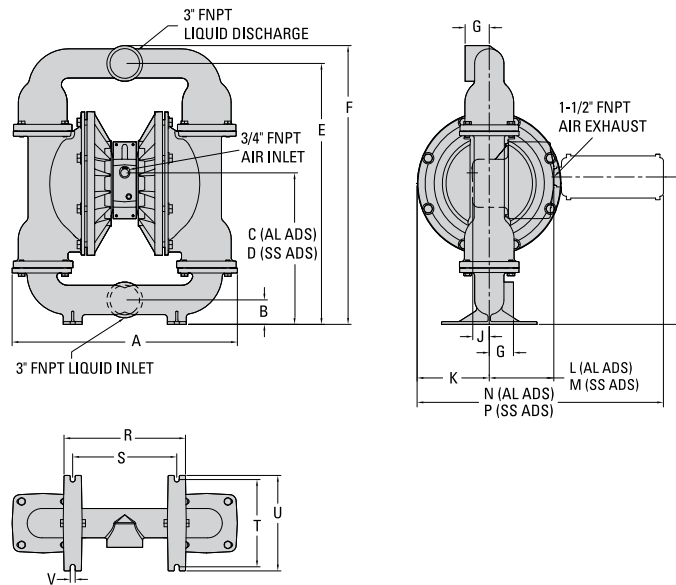


PS1520/1530 STAINLESS STEEL FIT PUMP

76 mm (3") Pump
Maximum Flow Rate:
1056 lpm (279 gpm)

DIMENSIONAL DRAWING

PS1520 Stainless Steel



DIMENSIONS

ITEM	METRIC (mm)	STANDARD (inch)
A	650	25.6
B	71	2.8
C	443	17.5
D	449	17.7
E	765	30.1
F	815	32.1
G	71	2.8
H	431	17.0
J	48	1.9
K	211	8.3
L	189	7.4
M	177	7.0
N	721	28.4
P	709	27.9
R	356	14.0
S	305	12.0
T	257	10.1
U	279	11.0
V	15	0.6

LW0259 REV. A

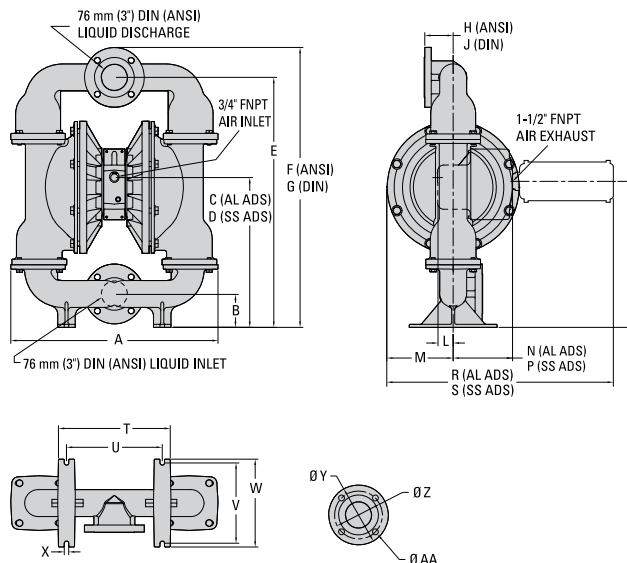
PUMP DATA

Specifications:

Height..... 1520 Threaded 815 mm (32.1")
 1530 Flanged 890 mm (35.1")
 Width..... 659 mm (26.0")
 Depth..... 420 mm (16.6")
 Ship Weight. 1520 Threaded 126 kg (278 lb)
 1530 Flanged 137 kg (300 lb)
 Air Inlet 3/4"
 Flanged Inlet 76 mm (3")
 Flanged Outlet..... 76 mm (3")
 Threaded Inlet 3"
 Threaded Outlet..... 3"

Sold by:
 G&W Industrial Sales
 915 Emerson Avenue
 Parkersburg, WV 26104
 304-422-4755
 mail@gwindustrial.com

PS1530 Stainless Steel



DIMENSIONS

ITEM	METRIC (mm)	STANDARD (inch)
A	659	26.0
B	105	4.1
C	477	18.8
D	483	19.0
E	796	31.3
F	890	35.1
G	891	35.3
H	90	3.6
J	88	3.5
K	465	18.3
L	48	1.9
M	211	8.3
N	189	7.4
P	177	7.0
R	721	28.4
S	709	27.9
T	356	14.0
U	305	12.0
V	256	10.1
W	279	11.0
X	14	0.6
	DIN (mm)	ANSI (inch)
Y	200 DIA.	7.5 DIA.
Z	160 DIA.	6.0 DIA.
AA	18 DIA.	0.8 DIA.

LW0260 REV. A

PS1520/1530 STAINLESS STEEL FIT PUMP

PERFORMANCE

PS1520/PS1530 STAINLESS STEEL FULL-STROKE PTFE-FITTED

Max. Flow Rate.....992 lpm (262 gpm)
 Max. Inlet Pressure8.6 bar (125 psig)
 Max. Solids Passage..... 12.7 mm (1/2")
 Max. Suction Lift.....5.9 m Dry (19.3')
 8.6 m Wet (28.4')

