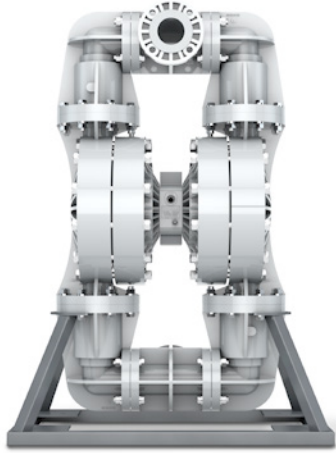


## PS1500 PLASTIC PUMP

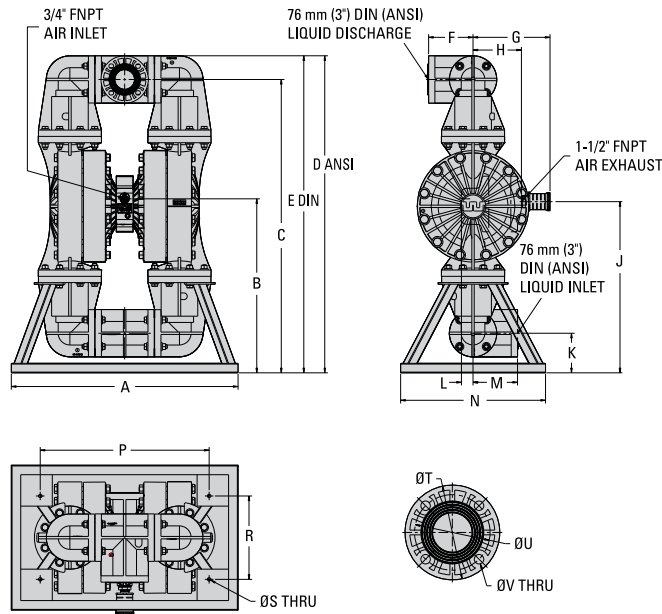
**76 mm (3") Pump**  
**Maximum Flow Rate:**  
**1024 lpm (271 gpm)**



**PS1500 PLASTIC**

### DIMENSIONAL DRAWING

#### PS1500 Plastic



### DIMENSIONS

ITEM	METRIC (mm)	STANDARD (inch)
A	914	36.0
B	702	27.6
C	1183	46.6
D	1279	50.3
E	1283	50.5
F	179	7.1
G	310	12.2
H	195	7.7
J	690	27.2
K	160	6.3
L	47	1.9
M	179	7.1
N	584	23.0
P	681	26.8
R	336	13.2
S	14	0.6
<b>DIN FLANGE</b>		
T	200 DIA.	7.9 DIA.
U	160 DIA.	6.3 DIA.
V	18 DIA.	0.7 DIA.
<b>ANSI FLANGE</b>		
T	191 DIA.	7.5 DIA.
U	152 DIA.	6.0 DIA.
V	19 DIA.	0.8 DIA.

LW0207 REV. A

### PUMP DATA

#### Specifications:

Height..... 1279 mm (50.3")  
 Width..... 914 mm (36.0")  
 Depth..... 584 mm (23.0")  
 Ship Weight..Polypropylene 125 kg (275 lb)  
                   PVDF 152 kg (335 lb)  
 Air Inlet ..... 3/4"  
 Liquid Inlet..... 76 mm (3")  
 Liquid Outlet..... 76 mm (3")

#### Sold by:

G&W Industrial Sales  
 915 Emerson Avenue  
 Parkersburg, WV 26104  
 304-422-4755  
 mail@gwindustrial.com

### PERFORMANCE

### PS1500 PLASTIC FULL-STROKE PTFE-FITTED

Max. Flow Rate ..... 999 lpm (262 gpm)  
 Max. Inlet Pressure ..... PVDF 8.6 bar (125 psig)  
    Polypropylene 6.9 bar (100 psig)  
 Max. Solids Passage ..... 12.7 mm (1/2")  
 Max. Suction Lift ..... 5.8 m Dry (19.1")  
    8.6 m Wet (28.4")

