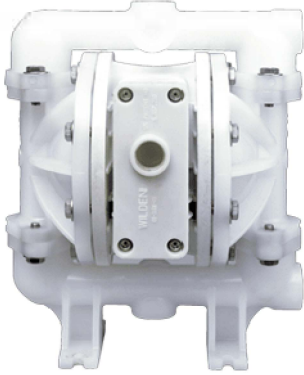


# WILDEN<sup>®</sup>

A DOVER COMPANY



Sold by:  
G&W Industrial Sales  
915 Emerson Avenue  
Parkersburg, WV 26104  
304-422-4755  
mail@gwindustrial.com

**PROFLO<sup>™</sup>**  
PROGRESSIVE PUMP TECHNOLOGY

## P100 ADVANCED PLASTIC PUMP<sup>™</sup>

Wilden P100 - 12.7mm (1/2") Advanced Plastic Pump

**FLOW RATE TO 56 LPM (14.8 GPM)**  
**MAX PRESSURE = 8.6 BAR (125 PSI)**

### WETTED HOUSINGS

(Water Chambers and Manifolds)  
Material Ship Wt  
Polypropylene 3.67 kg (8.1 lbs)  
PVDF 4.63 kg (10.2 lbs)

### NON-WETTED HOUSINGS

Description Material  
Center Section Polypropylene  
Air Chambers Polypropylene  
Air Valve Polypropylene

### MAXIMUM SUCTION LIFT CAPABILITY

5.53m (Dry)

### MAXIMUM DIAMETER SOLIDS

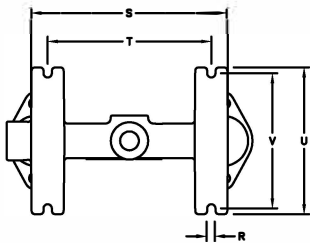
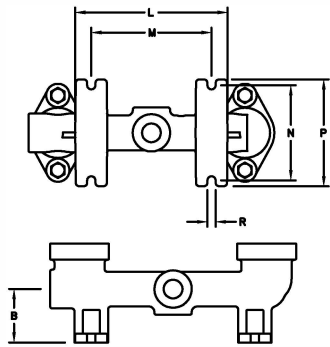
1.59mm (1/16)

### ELASTOMER OPTIONS

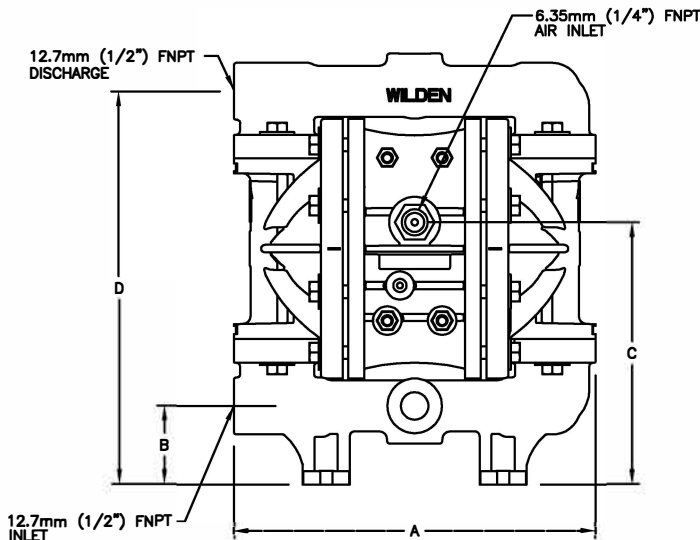
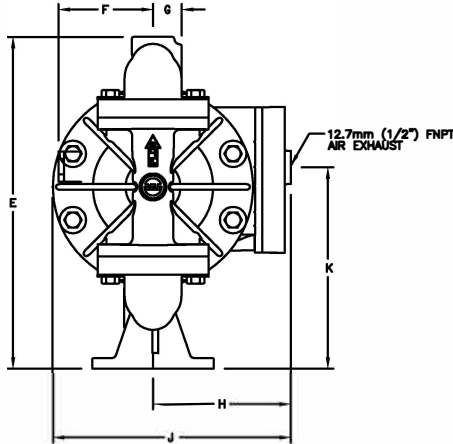
Material Temperature Limits

Buna-N<sup>®</sup> -12.2 (+10) to +65.6 (+150) °C (F°)  
Neoprene -17.8 (+0) to +93.3 (+200) °C (F°)  
Nardel<sup>®</sup> -51.1 (-60) to +137.8 (+280) °C (F°)  
Polyurethane -12.2 (+10) to +65.6 (+150) °C (F°)  
Saniflex<sup>™</sup> -28.9 (+20) to +104.4 (+220) °C (F°)  
Teflon<sup>®</sup> PTFE +4.4 (+40) to +104.4 (+220) °C (F°)  
Viton<sup>®</sup> -40 (-40) to +176.7 (+350) °C (F°)  
Wil-Flex<sup>™</sup> -40 (-40) to +107.2 (+225) °C (F°)

DIMENSIONAL - P100 ADVANCED <sup>™</sup> PLASTIC		
ITEM	METRIC (mm)	STANDARD (inch)
A	234	9.20
B	51	2.00
C	171	6.73
D	255	10.02
E	279	10.98
F	80	3.15
G	24	.95
H	115	4.54
J	200	7.87
K	169	6.65
L	145	5.70
M	114	4.50
N	90	3.56
P	102	4.00
R	8	.31
S	188	7.38
T	156	6.13
U	140	5.50
V	129	5.06

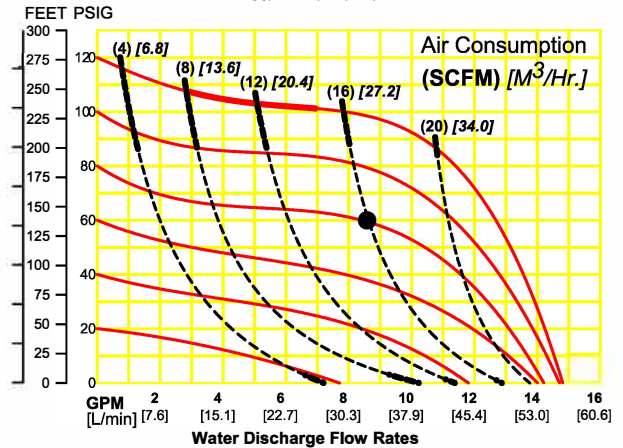


ALTERNATE FOOTPRINT



### P100 Advanced<sup>™</sup> Plastic Rubber Fitted

P100/PPPP/BN/BN/PBN



### P100 Advanced<sup>™</sup> Plastic PTFE Fitted

P100/PPPP/TF/TF/PTV

