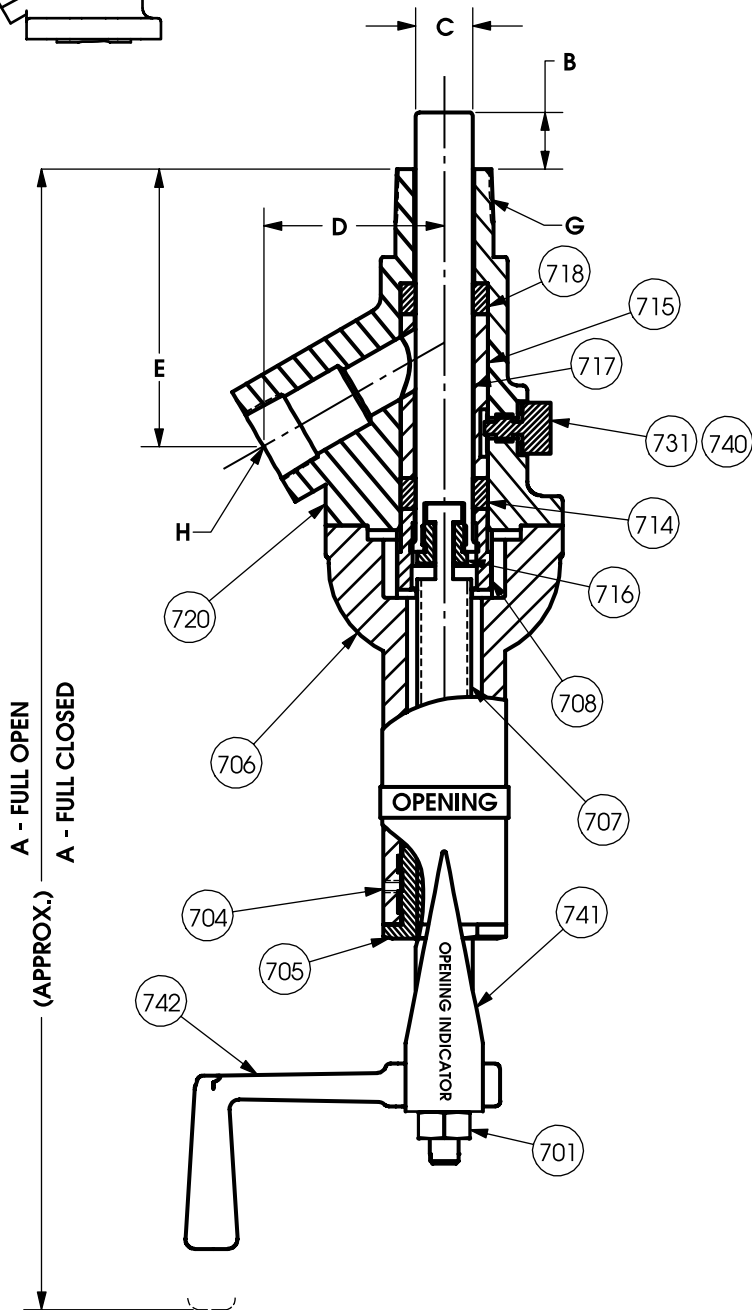
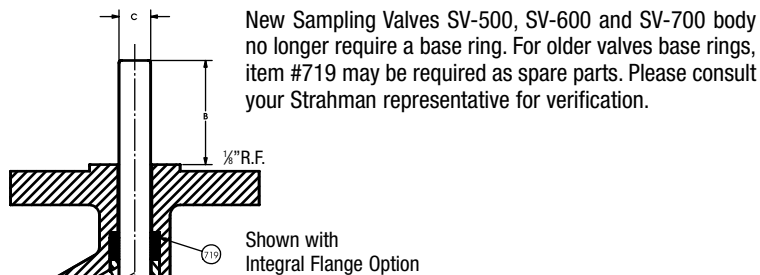


# Hand Operated Sampling Valves SV-500, SV-600, SV-700 and SV-800



Item	Name	Standard Material
701	Lock Nut	Stainless Steel Type 304
704	Bushing Lock Screw	Stainless Steel Type 304
*705	Bushing	Bronze
706	Bonnet	Stainless Steel Type 304
*707	Stem	Stainless Steel Type 416
708	Gland	Stainless Steel Type 304
712	Bonnet Nuts	Stainless Steel Type 303
713	Bonnet Studs	Stainless Steel Type 304
*714	Gland Ring	TFE
715	Cage	Stainless Steel Type 316
*716	Split Nut	Stainless Steel Type 316
*717	Piston	Stainless Steel Type 316
*718	Inlet Ring	TFE
719	Base Ring	
720	Body	Stainless Steel Type 316
724	Gland Nuts	Stainless Steel Type 303
725	Gland Studs	Stainless Steel Type 304
731	Cage Lock	Stainless Steel Type 316
*740	Cage Lock Gasket	RTFE
741	Opening Indicator	Stainless Steel Type 304
742	Crank Handle	Malleable Iron

\*Denotes recommended spare parts  
Wetted parts underlined

SV-500 3/8" x 1/4" ANSI 600							
A Closed	A Open	B	C	D	E	G NPT	H NPT
11 3/8"	13 3/4"	0"	.243"	1 7/8"	3 1/2"	3/8"	1/4"
13 3/8"	17 3/4"	2"	.243"	1 7/8"	3 1/2"	3/8"	1/4"
15 3/8"	21 3/4"	4"	.243"	1 7/8"	3 1/2"	3/8"	1/4"
17 3/8"	25 3/4"	6"	.243"	1 7/8"	3 1/2"	3/8"	1/4"

SV-600 1/2" x 3/8" ANSI 600							
A Closed	A Open	B	C	D	E	G NPT	H NPT
11 3/8"	13 3/4"	0"	.368"	1 7/8"	3 1/2"	1/2"	3/8"
13 3/8"	17 3/4"	2"	.368"	1 7/8"	3 1/2"	1/2"	3/8"
15 3/8"	21 3/4"	4"	.368"	1 7/8"	3 1/2"	1/2"	3/8"
17 3/8"	25 3/4"	6"	.368"	1 7/8"	3 1/2"	1/2"	3/8"

SV-700 3/4" x 1/2" & 3/4" x 3/4" ANSI 600							
A Closed	A Open	B	C	D	E	G NPT	H NPT
11 3/8"	13 7/8"	0"	.590"	1 7/8"	3 1/2"	3/4"	1/2", 3/4"
13 3/8"	17 7/8"	2"	.590"	1 7/8"	3 1/2"	3/4"	1/2", 3/4"
15 3/8"	21 7/8"	4"	.590"	1 7/8"	3 1/2"	3/4"	1/2", 3/4"
17 3/8"	25 7/8"	6"	.590"	1 7/8"	3 1/2"	3/4"	1/2", 3/4"

SV-800 1" x 3/4" & 1" x 1" ANSI 600							
A Closed	A Open	B	C	D	E	G NPT	H NPT
12 3/8"	15 1/2"	0"	.787"	2 3/8"	3 5/8"	1"	3/4", 1"
14 3/8"	19 1/2"	2"	.787"	2 3/8"	3 5/8"	1"	3/4", 1"
16 3/8"	23 1/2"	4"	.787"	2 3/8"	3 5/8"	1"	3/4", 1"
18 3/8"	27 1/2"	6"	.787"	2 3/8"	3 5/8"	1"	3/4", 1"

"B" DIM ± 1/16"  
"C" DIM ± .002"

Forward Deck details see page 7, Item #712, #713, #724, #725

**PED Compliant**



Sold by:  
G&W Industrial Sales  
915 Emerson Avenue  
Parkersburg, WV 26104  
304-422-4755  
mail@gwindustrial.com