

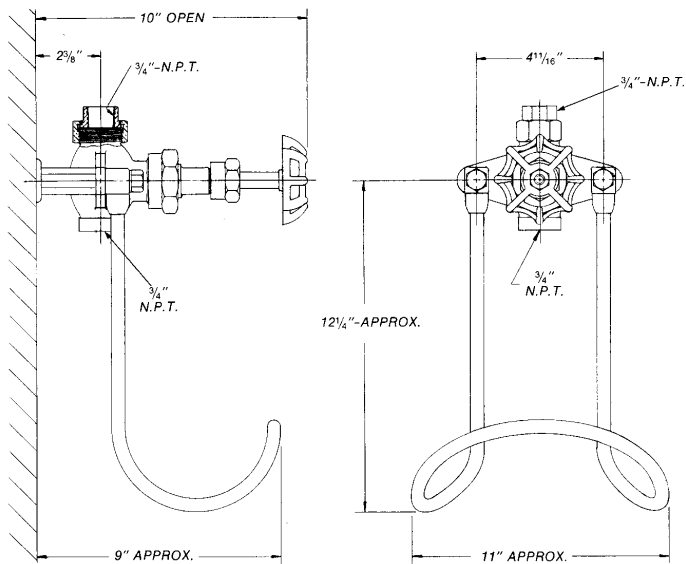
M-756 and M-156N Wall-Mounted Hose Station

These hot or cold water hose stations are designed for use wherever hose service is required. The compact units include a single control valve, stainless steel hose rack and mounting attachments. The wall-mounted unit is designed to mount one inch away from the wall.

Specifications

- ◆ Maximum operating temperature 200°F/93°C
- ◆ Maximum working pressure 150 psi

Please see reverse side for parts listing.



Shown above: M-756 with MP-88 mounting plate; shown with Strahman premium hose assembly and S-70 Series nozzle.
Shown below: M-156N; shown with Strahman premium hose assembly and M-70 Series nozzle, available with MP-88 mounting plate.



USA Headquarters

2801 Baglyos Circle ♦ Bethlehem, PA 18020

Phone: (484) 893-5080 ♦ Fax: (484) 893-5099 ♦ Toll Free: (877) STRAHMAN

www.strahmanvalves.com

France

Savoie Hexapole, F-73420 Mery, France

Tel: 33 (0) 4 79 35 78 00

Fax: 33 (0) 4 79 35 78 20

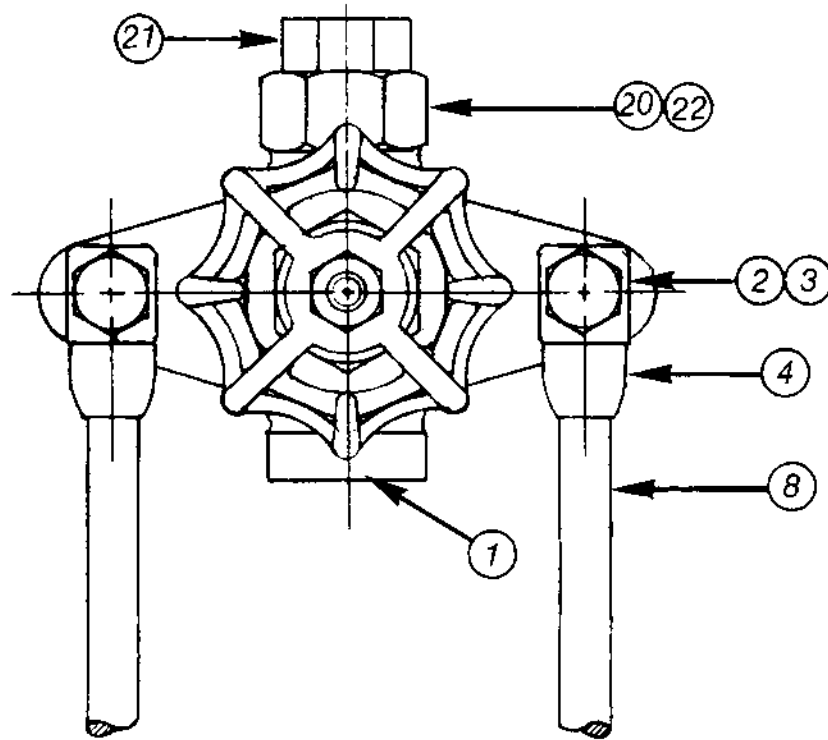
Germany

Zum Schwarzhof 14, 77704, Oberkirch, Germany

Tel: 49 (0) 7802 - 7037879

Fax: 49 (0) 7802 - 7037889

M-756 and M-156N Wall-Mounted Hose Station



PARTS	
PART NO.	PART
1	BODY
2	CAP SCREW
3	LOCK WASHER (Not shown)
4	CONNECTOR
6	SLEEVE ANCHOR (Not shown)
8	HOSE RACK
10	SPACER (Not shown)
11	MP-88 MOUNTING PLATE (Not shown)
20	UNION GASKET
21	UNION TAIL PIECE
22	INLET UNION NUT