

M-144TG Safety Mixing Unit

The **M-144 Safety Unit** is designed to blend steam and cold water in any desired proportion; features a safety steam shut-off which prohibits passing live steam. User adjustable with a factory-set maximum temperature, this unit is equipped with dial-type gauge that indicates the exact wash temperature in both Celsius and Fahrenheit. For maximum efficiency, it is recommended that a Strahman hose assembly (with shut-off nozzle) be used in conjunction with this unit. Hard piping from the unit discharge, or use with an open-ended hose, is not recommended.

Specifications

- ♦ **Minimum working pressure** 20 psi/1.4 bar steam
20 psi/1.4 bar cold water
- ♦ **Maximum design pressure:** 150 psi/10.3 bar
- ♦ **Maximum operating pressure:** 80 psi/5.5 bar steam
80 psi/5.5 bar water
- ♦ **Factory-set maximum temperature of:** 200°F/93°C
- ♦ Safety steam shut-off
- ♦ For proper operation, water pressure should not exceed steam pressure

Please see reverse side for parts listing.



Shown: Bronze M-144TG with globe valves; shown with premium hose assembly and M-70 Series nozzle



USA Headquarters

2801 Baglyos Circle ♦ Bethlehem, PA 18020

Phone: (484) 893-5080 ♦ Fax: (484) 893-5099 ♦ Toll Free: (877) STRAHMAN

www.strahmanvalves.com

France

Savoie Hexapole, F-73420 Mery, France

Tel: 33 (0) 4 79 35 78 00

Fax: 33 (0) 4 79 35 78 20

Germany

Zum Schwarzhof 14, 77704, Oberkirch, Germany

Tel: 49 (0) 7802 - 7037879

Fax: 49 (0) 7802 - 7037889

Last Updated: August 20, 2009

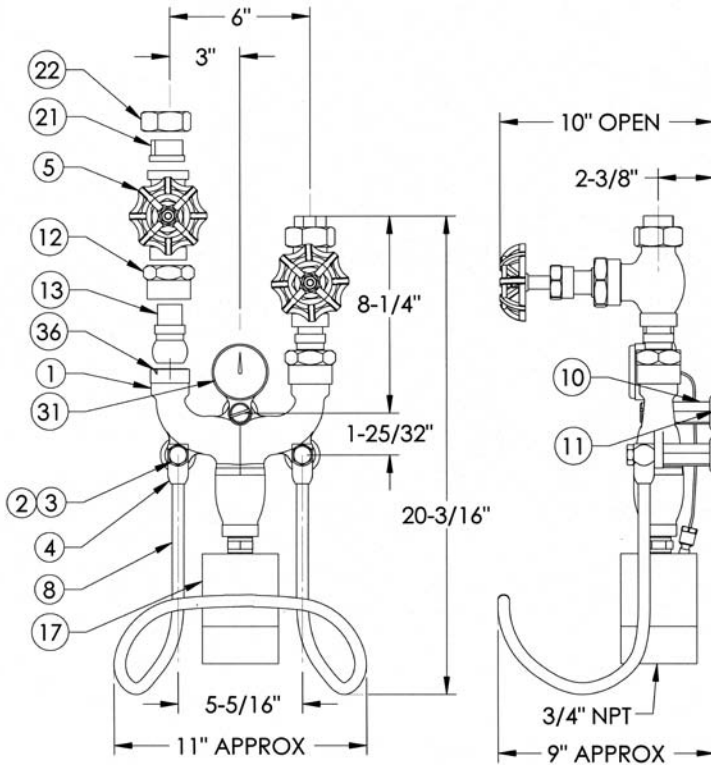
Sold by: G&W Industrial Sales

304-422-4755

mail@gwindustrial.com

ISO 9001
Management System Registered

M-144TG Safety Mixing Unit



PARTS		
PART NO.	DESCRIPTION	MATERIAL
1	MAIN BODY	BRONZE
2	HOSE RACK CAP SCREW	SST
3	HOSE RACK LOCK WASHER	SST
4	HOSE RACK CONNECTOR	BRASS
5	GLOBE VALVE	BRONZE
8	HOSE RACK ASSEMBLY	SST
10	SPACER	SST
11	WALL PLATE	BRASS
12	BALL CHECK UNION NUT	BRASS
13	BALL CHECK VALVE	BRASS/SST
17	THERMOSTAT HOUSING	BRONZE
21	UNION TAIL PIECE	BRONZE
22	INLET UNION NUT	BRONZE
31	TEMPERATURE GAUGE	CHROME
36	BALL CHECK GASKET	COPPER TEFLON COATED

M-144TG Performance Graphs

