

Strahman® Line Blind Valves

SOLUTIONS FOR INDUSTRIES

Strahman Global Industry Alliance

Total equipment isolation valves are never 100% reliable. For this reason, most safety regulations require positive shutoff devices such as Line Blinds. This is especially true in high-temperature, critical services. Strahman Line Blinds combine 100% positive shutoff with very quick actuation. This reduces the time-consuming changes of standard spectacle plates. They are specifically designed for a wide range of temperatures and meet the API 607 rev.4 fire safe standards.

Strahman pioneered the development of the non-spreading and quick-action Line Blinds and was the first company to receive Lloyd's of London certification for the its Line Blinds used in cryogenic application such as LNG.

Our technology and expertise provides you with an extensive range of standard Line Blinds and the ability to design a solution that meets your unique application.



All Strahman Line Blinds:

- Save time: Require minimal maintenance and provides ease of operation.
- Prevent product contamination.
- Comply with ASME B31, ANSI 16.5 and API 590 and meets international DIN, API, TUV AND LUFT standard as required.
- Certified for Canadian applications-CRN OC08554.2

Benefits

- **Absolute shutoff** – Liquid and gas cannot leak downstream.
- **Quick change** – Heavy pipe lines can be blinded safely within 30 sec. - 2 min.
- **Only one operator** – One person can operate with ease and safety up to 24".
- **Non line spread** – Eliminates the need to spread pipe, reducing undue pipe stress and misalignment while the seat stays in place.
- **Cost savings** – Saves man-hours, and increases process run time.
- **No tools required** – No special tools are required to change the spectacle plate position.
- **Visible indication of blind position** – Constant indication of open/closed position.



Last Updated: October 29, 2009



Sold by G&W Industrial Sales

Strahman Valves, Inc. USA Headquarters

2801 Baglyos Circle Bethlehem, PA 18020
Phone: (484) 893-5080 • Fax: (484) 893-5099
www.strahmanvalves.com

France

Savoie Hexapole, F-73420 Mery, France
Tel: 33 (0) 4 79 35 78 00
Fax: 33 (0) 4 79 35 78 20

Germany

Zum Schwarzhof 14
77704, Oberkirch, Germany
Phone: 49(0) 7802 7037879
Fax: 49(0) 7802 7037889
www.strahmanvalves.com

ISO 9001

Management System Registered

mail@gwindustrial.com

304-422-4755

Strahman Valves Line Blind Valves

Solutions for Industries

Engineering Data

Strahman utilizes design software and FEA (Finite Element Analysis) with extensive physical testing to ensure product compliance with all applicable industry standards.

ASTM/ANSI standard

- B16.5 Pipe flanges and flanged fittings
- B16.34 Valves – flanged, threaded and welding end
- B31.1 Power piping

ASME standard

- Section 2 Material
- Section 8 Rules for construction of pressure vessels
- Section 9 Welding and brazing qualifications

API standard

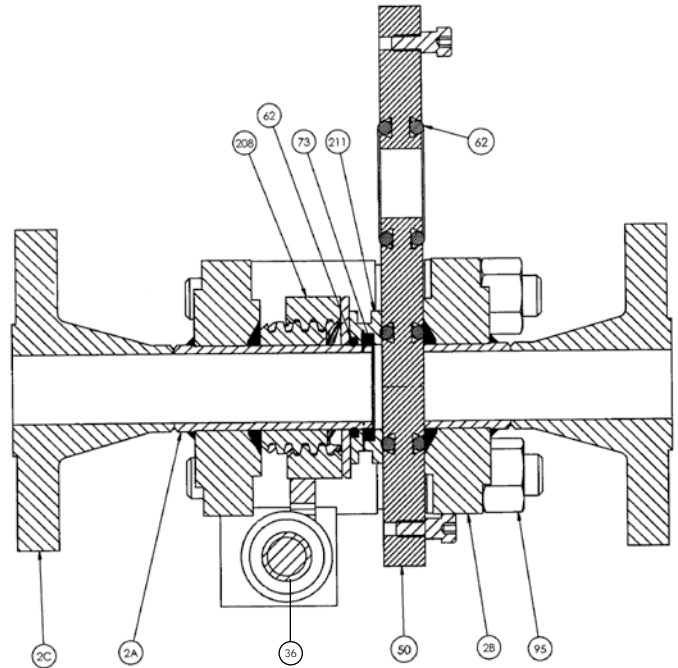
- 897 Valve inspection and testing
- 6FA Fire safety test
- API 598

Standard Strahman Line Blind Sizes:

- ½” through 14”
- ANSI classes 150, 300, and 600
- Operating temperatures of up to 1,000°F (535°C)
- Other sizes and pressure ratings, along with butt weld ends or DIN flanges, are available on request

MSS standard

- SP-6 Finish for contact faces of pipe flanges
- and connecting end flanges of valves and fittings
- SP-25 Marking system for valves, fittings, flanges and unions
- SP-55 Quality standard for steel castings for valves, flanges and fittings, and other piping components (visual method)



Materials of Construction

Part Number	Part Name	Carbon Steel Blind	304 SST Blind	316 SST Blind
2C	Body Flange	ASTM A105	ASTM A182 F304	ASTM A182 F316L
2A	Body Pipe	ASTM A106	ASTM A312 F304	ASTM A312 F316L
211	Seal Carrier	ASTM A240-304	ASTM A240-304	ASTM A240 316L
208	Cam Nut	ASTM A182-304	ASTM A182-304	ASTM A182-304
36	Stem	ASTM A582-416	ASTM A582-416	ASTM A582-416
95	Nut	ASTM A194-2H	ASTM A193 B8	ASTM A193 Gr8
62	Sealing Gasket*	Per Application	Per Application	Per Application
73	Wiper Ring*	PTFE/Graphite	PTFE/Graphite	PTFE/Graphite
2B	Body Deck	304SST	304SST	304SST
50	Spectacle	ASTM A240-316	ASTM A240-316	ASTM A240-316

Other materials such as Titanium, Stainless Steel, Hastelloy and other special materials are available.

*Viton, Buna-N, TFE, AFLAS, EDPM, Neoprene, EPR, Graphite

Strahman Valves, Inc. USA Headquarters • 2801 Baglyos Circle Bethlehem, PA 18020

Phone: (484) 893-5080 • Fax: (484) 893-5099 • www.strahmanvalves.com