

# Hydro-Pro 150 Spray Nozzle

## Heavyweight performance in a lightweight design!

The Strahman **Hydro-Pro 150** is constructed with a stainless steel housing for strength and durability, yet this solid, water saver spray nozzle weighs less than two pounds, and is ergonomically designed to reduce user fatigue. In addition to being extremely lightweight, the **Hydro-Pro 150** features a patented, locking trigger mechanism that allows users to lock in a desired spray pattern without having to maintain pressure on the trigger. It also reduces misdirected spraying.

Equipped with a waterproof nylon cover that resists cracks and abrasions, this rugged nozzle lasts for a long time and stays cool even when using water as hot as 200°F. It is the most advanced spray nozzle around — and it is only from Strahman!



*Shown: Black Hydro-Pro 150  
Shown Below: White and Red Hydro-Pro 150*

## Specifications

- ◆ **Maximum working pressure** ..... 150 psi
- ◆ **Maximum recommended operating pressure** ..... 200°F/93°C
- ◆ **Flow rates:** ..... 5-7 gpm (50-80 psi)  
10 gpm max at 150 psi
- ◆ Available: black, white or red cover
- ◆ Available with or without swivel adapter

**NOTE:** Intended for water use only.  
Not suitable for steam service.



### USA Headquarters

2801 Baglyos Circle ♦ Bethlehem, PA 18020

Phone: (484) 893-5080 ♦ Fax: (484) 893-5099 ♦ Toll Free: (877) STRAHMAN

[www.strahmanvalves.com](http://www.strahmanvalves.com)

### France

Savoie Hexapole, F-73420 Mery, France

Tel: 33 (0) 4 79 35 78 00

Fax: 33 (0) 4 79 35 78 20

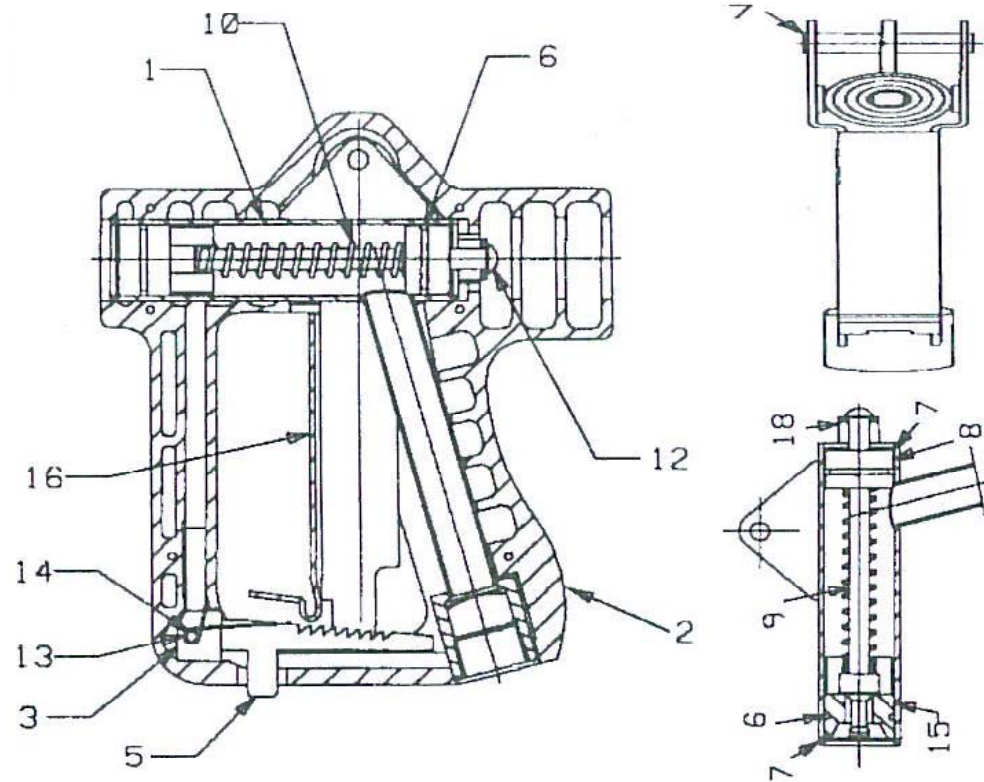
### Germany

Zum Schwarzhof 14, 77704, Oberkirch, Germany

Tel: 49 (0) 7802 - 7037879

Fax: 49 (0) 7802 - 7037889

# Hydro-Pro 150 Spray Nozzle



## PARTS

PART NO.	DESCRIPTION	PART NO.	DESCRIPTION
1	HYDRO-PRO® BODY	8	HOUSING
2	BLACK COVER	9	STEM
2	RED COVER	10	STEM SPRING
2	WHITE COVER	12	STEM SCREW and WASHER
3	HINGE	13	RATCHET SPRING
4	COVER SCREWS	14	SPRING PIN
5	RATCHET	15	SEAT
6	O-RINGS	16	LEVER ARM
7	SNAP RING	18	U-BRACKET