



BPAV™

BUCKLING PIN API-SERIES VALVE



- The First API-526 Piping Configuration Buckling Pin Valve.
- Higher Flow Capacity than Equivalent Sized Relief Valve.
- Set Pressure Independent of Back Pressure.
- ANSI/ASME - EN/DIN - JIS Flange Compatibility
- Operable to 90% of Set Pressure Without Simmering

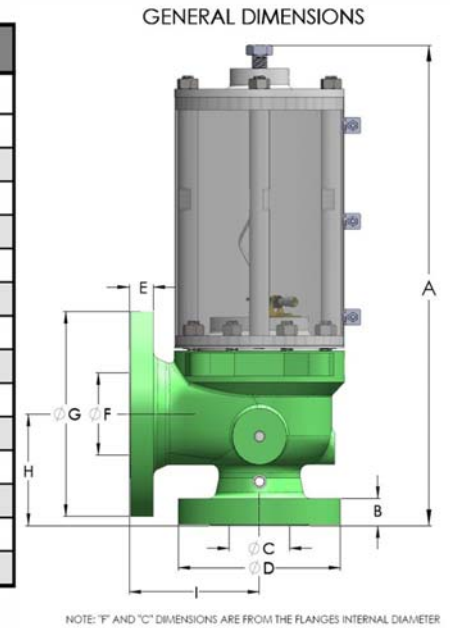
Visit www.BSBsystems.com or www.BSB.ie for the Most Complete, up-to-date Information.

US AND INTERNATIONAL PATENTS PENDING

DIMENSIONS

BPAV DIMENSIONS mm (inches)									
	A	B	C	D	E	F	G	H	I
25mm x 38mm	355.6	18	27	124	21	41	155.5	104.8	114.3
1" x 1.5"	(14")	(0.7")	(1.05")	(4.88")	(0.83")	(1.61")	(6.12")	(4.13")	(4.5")
38mm x 50mm	381	21	41	155.5	22.2	52.5	165	123.8	152.4
1.5" x 2"	(15")	(0.83")	(1.61")	(6.12")	(0.88")	(2.07")	(6.5")	(4.87")	(6")
50mm x 76mm	508	22.2	52.5	165	29	78	210	136.5	123.8
2" x 3"	(20")	(0.88")	(2.07")	(6.5")	(1.14")	(3.07")	(8.25")	(5.4")	(4.88")
76mm x 102mm	650	29	78	210	32	102	254	155.6	161.9
3" x 4"	(25.6")	(1.14")	(3.07")	(8.25")	(1.26")	(4.03")	(10")	(6.13")	(6.4")
102mm x 152mm	863.6	32	102	254	37	154	317.5	196.8	209.5
4" x 6"	(34")	(1.26")	(4.03")	(10")	(1.46")	(6.07")	(12.5")	(7.7")	(8.25")
152mm x 203mm	1041.4	37	154	317.5	42	203	381	240	241
6" x 8"	(41")	(1.46")	(6.07")	(12.5")	(1.65")	(7.98")	(15")	(9.5")	(9.5")
203mm x 254mm	1397	42	203	381	48	255	445	276.2	279.4
8" x 10"	(55")	(1.65")	(7.98")	(15")	(1.88")	(10.02")	(17.5")	(10.9")	(11")

Note: These dimensions are only for reference.



Size	Min. Pressure	Max. Pressure
25 x 40mm	1.72 bar	18.9 bar
1" x 1.5"	25 psi	275 psi
40 x 50mm	1.38 bar	18.9 bar
1.5" x 2"	20 psi	275 psi
50 x 80mm	1.03 bar	18.9 bar
2" x 3"	15 psi	275 psi
80 x 102mm	1.03 bar	18.9 bar
3" x 4"	15 psi	275 psi
102 x 152mm	1.72 bar	18.9 bar
4" x 6"	25 psi	275 psi
152 x 203mm	2.07 bar	18.9 bar
6" x 8"	30 psi	275 psi
203 x 254mm	2.07 bar	18.9 bar
8" x 10"	30 psi	275 psi



BS&B Safety Systems B.V.
Nieuwe Uitleg 15
2514 BP Den Haag
The Netherlands
Tel: +31 70 362 2136
Email: info@bsbsystems.nl
www.bsbsystems.nl

BS&B Safety Systems (Asia Pacific) Pte Ltd
10 Ang Mo Kio Street 65 #03-19 TECHPOINT
Singapore 569059
Tel: +65 6556 3916 Fax: +65 6484 3711
Email: sales@bsbsystems.com
Website: www.bsbsystems.com

BS&B Safety Systems Limited Abu Dhabi
Bainunah St 34
Al Bateen C6
Abu Dhabi
U.A.E.
Phone: +971 2 406 9603
Fax: +971 2 406 9810
E-mail: sales@bsbsystems.com



BS&B Pressure Safety Management, LLC
7455 E. 46th St.,
Tulsa, OK 74145, USA
Phone: 918-622-5950
Fax: 918-665-3904
Email: sales@bsbsystems.com
www.bsbsystems.com

BS&B Safety Systems Discos De Ruptura LTDA
Rua Natal, 583-Vila Bertioga
CEP: 03186-030 Sao Paulo/SP
Ph: 55-11-6121-2800
Fax: 55-11-6121-3801
Email: sales@bsbbrasil.com
www.bsbbrasil.com

Products, specifications and all data in this literature are subject to change without notice. Questions regarding product selection and specifications for specific applications should be directed to BS&B. BS&B is a registered trademark of BS&B Safety Systems, Ltd.

All sales are subject to BS&B standard terms and conditions of sales.

©2010, BS&B Safety Systems, Limited