

MidFlow Particulate Filters



SPECIFICATIONS

Metal Bowl

- Zinc, black coated
- Max. supply pressure 250 psig
- Operating temperature range 40°F to 200°F

Metal Bowl with sight

- Zinc, black coated
- Max. supply pressure 250 psig
- Operating temperature range 40°F to 160°F

Internal Float Drain

- Buna N float
- Note: limits bowl temperature and pressure rating
- Operating pressure range 30 to 175 psig
- Operating temperature range 40°F to 120°F

Body black coated aluminum

Baffle plastic

Seals Buna N

Vane plastic

Elements

- 40 micron sintered bronze
- 5 micron sintered bronze
- 3 micron absolute pleated fiber

KITS

- Internal float drain kit 5200

Bowl Kits

- Metal with sight BKF47W
BKF48W
- Metal without sight BKF47M
BKF48M

Element Kits

- 40 micron EK37, EK38
- 5 micron EK37-5, EK38-5
- 3 micron absolute EK37-3, EK38-3

Repair Kits

- Repair kit RKF37
RKF38
- Replacement sight kit WK47

Mounting Kit see page 65

- Mounting kit FBK7

FEATURES

- 40 micron sintered bronze element offers depth filtration. High strength, recleanable
- 10 oz. or 20 oz. black coated metal bowl with liquid level sight
- Manual twist drain
- High Flow, low pressure drop

OPTIONS

add suffix to part number in alpha and numeric order

Float Drain

An internal float rises as condensate accumulates in a filter bowl to activate the drain.

F Internal float drain F373FW

Overnight Drains

An overnight drain operates when a compressed air system is shut down. It clears accumulated condensate from a filter bowl when pressure falls to 3 psig or less. It then closes when pressure rises to 6 psi.

K Overnight drain F373KW

Twist to manually drain.

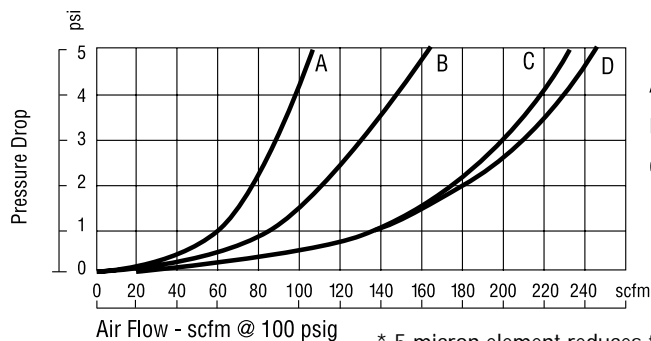
M Metal bowl

without sight glass F373M

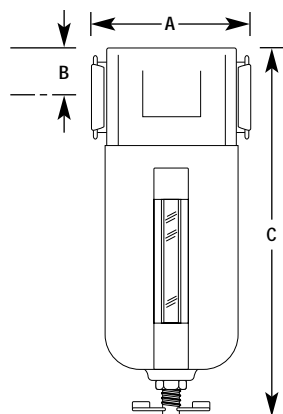
5 5 micron element F373W5

3 3 micron absolute element . . F373W3

PERFORMANCE CHARACTERISTICS FOR 40 MICRON ELEMENT



- A. F373
- F383
- B. F374
- F384
- C. F376
- D. F386



DIMENSIONS

PIPE SIZE	MODEL NO.	MAX. FLOW SCFM*	BOWL CAPACITY	DIMENSIONS (INCHES)			WEIGHT (LBS.)
				A	B	C	
3/8"	F373W	110	10 oz.	3 3/4	1 3/32	7 5/8	2.7
3/8"	F383W	110	20 oz.	3 3/4	1 3/32	10 7/8	3.8
1/2"	F374W	160	10 oz.	3 3/4	1 3/32	7 5/8	2.7
1/2"	F384W	165	20 oz.	3 3/4	1 3/32	10 7/8	3.8
3/4"	F376W	230	10 oz.	3 3/4	1 3/32	7 5/8	2.7
3/4"	F386W	245	20 oz.	3 3/4	1 3/32	10 7/8	3.8

* Flow scfm based on 5.0 psi Δ p @ 100 psig inlet.

Tri•Star Particulate Filters



OPTIONS

add suffix to part number in alpha and numeric order

Float Drain

An internal float rises as condensate accumulates in a filter bowl to activate the drain.

F Internal float drain F352F

Overnight Drains

An overnight drain operates when a compressed air system is shut down. It clears accumulated condensate from a filter bowl when pressure falls to 3 psig or less.

J Overnight drain for polycarbonate bowl F352J

Push to manually drain.

K Overnight drain for metal bowl F352KM

Twist to manually drain.

M Black coated metal bowl F352M

W Black coated metal bowl with sight F352W

-5 5 micron element F352-5

-3 3 micron absolute element F352-3

SPECIFICATIONS

WARNING! Polycarbonate plastic bowls could rupture if exposed to incompatible chemicals whether inside or outside the bowl. If such chemicals are present, use a metal bowl.

Polycarbonate Bowl

- Max. supply pressure 150 psig
- Operating temperature range 40°F to 125°F

Metal Bowl

- Zinc, black coated
- Max. supply pressure 250 psig
- Operating temperature range 40°F to 200°F

Metal Bowl with Sight

- Zinc, black coated
- Max. supply pressure 250 psig
- Operating temperature range 40°F to 160°F

Internal Float Drain

- Buna N float
- Note: limits bowl temperature and pressure rating
- Operating pressure range 30 to 175 psig
- Operating temperature range 40°F to 120°F

Body black coated aluminum

Bowl Guard nickel plated steel

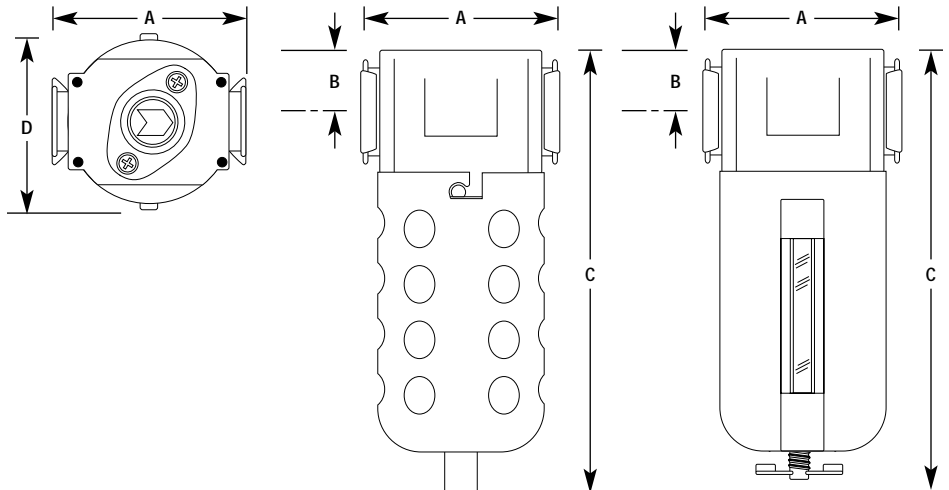
Baffle plastic

Vane plastic

Seals Buna N

FEATURES

- 40 micron sintered bronze element offers depth filtration. High strength, recleanable
- 5 oz. polycarbonate bowl with nickel plated steel bowl guard
- Manual push drain on polycarbonate bowl
- In-line or modular installation





MidFlow Regulators

R37

SPECIFICATIONS

- Body**
 - Black coated aluminum
- Bonnet**
 - Glass filled nylon
- Seals**
 - Buna N Elastomer standard
- Seat**
 - Brass

KITS

- Repair Kits**
 - Diaphragm kit relieving DK35
 - Diaphragm kit Non-relieving DK35N
 - Valve kit VK37
- Mounting Kits** see page 65
 - Bracket kit RBK7
 - Panel mounting kit ring only panel hole size 1³/₁₆" PKR35
 - Panel mount bracket and ring PMKR35

FEATURES

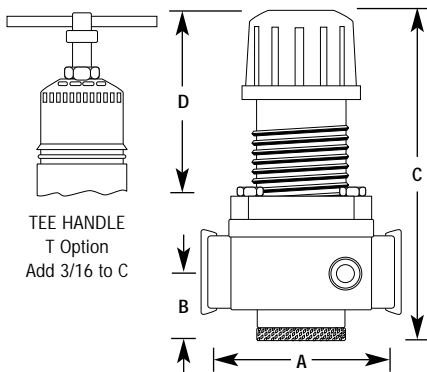
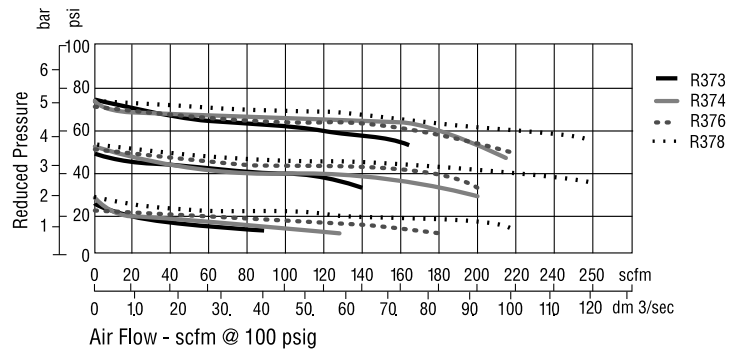
- Micro finished brass seat to ensure no reduced pressure creep
- Reinforce diaphragm for repeated accuracy
- Minimal pressure droop due to efficient aspiration
- Three position non-rising adjustment knob; push to lock, pull to adjust, detach to make tamper resistant
- Relieving style standard
- Easily panel mounted
- Tamper-proof cap included
- High scfm flow due to efficient aspiration

OPTIONS

- add suffix to part number in alpha order
- G** Gauge (0-160 psi) R373G
 - H** High pressure R373HT
10 to 250 psi adjustment - *Must use T-handle option*
 - I** Instrument pressure R373I
3 to 20 psi adjustment
 - L** Low pressure R373L
3 to 60 psi adjustment
 - N** Non-relieving R373N
 - P** Panel mount R373P
 - T** Tee handle adjustment R373T

- Supply Pressure**
 - 250 psig
- Operating Pressure Range**
 - 5 to 125 psig
- Operating Temperature Range**
 - 40°F to 120°
- Gauge Port**
 - 1/4" full flow

PERFORMANCE CHARACTERISTICS



DIMENSIONS

PIPE SIZE	MODEL NO.	MAX. FLOW SCFM	DIMENSIONS (INCHES)				WEIGHT (LBS.)	
			A	B	C	D		E (WIDTH)
3/8"	R373	170	3 ⁷ / ₁₆	1 ¹³ / ₃₂	5 ⁷ / ₈	2 ³ / ₄	2 ¹ / ₄	1.3
1/2"	R374	215	3 ⁷ / ₁₆	1 ¹³ / ₃₂	5 ⁷ / ₈	2 ³ / ₄	2 ¹ / ₄	1.3
3/4"	R376	220	3 ⁷ / ₁₆	1 ¹³ / ₃₂	5 ⁷ / ₈	2 ³ / ₄	2 ¹ / ₄	1.3
1"	R378	250	3 ⁷ / ₁₆	1 ¹³ / ₃₂	5 ⁷ / ₈	2 ³ / ₄	2 ¹ / ₄	1.3